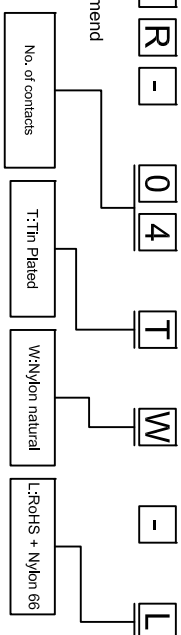


ORDER INFORMATION

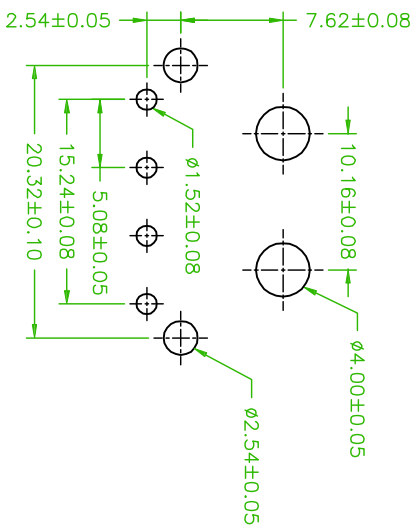
5 0 8 2 R - 0 4 T W - L

© Standard Recommend

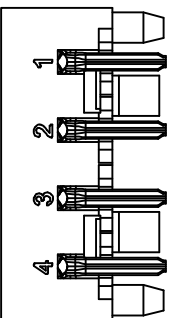
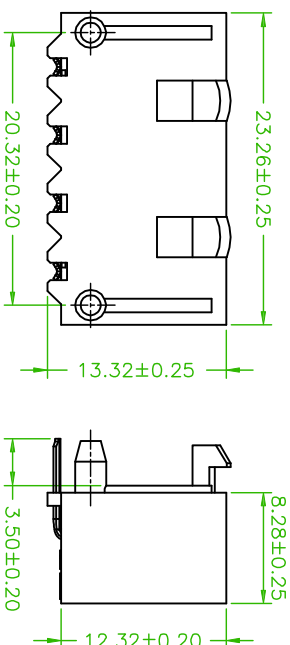
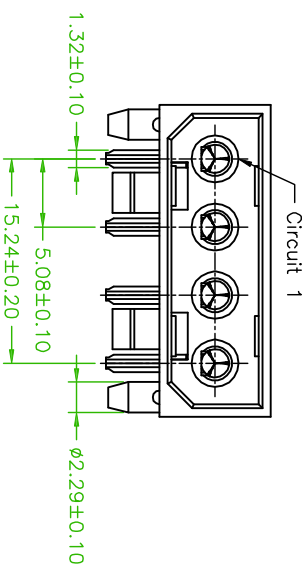


Specifications

Current Rating: 10A AC,DC
 Voltage Rating: 250V AC,DC
 Temperature Range: -25°C to +85°C
 Contact Resistance: 10mΩ Max
 Insulation Resistance: 1000MΩ Min
 Withstanding Voltage: 1500V AC/minute
 Pin Material: Brass/Tin Plated
 Material: Nylon 66,UI94V-2



Recommended PCB Layout
 (PCB TOLERANCE ±0.05)



AREA	REV.	DESCRIPTION	DATE

品名 TITLE		5.08mm WAFER RIGHT ANGLE	
品號 PART NO.	5082R-04TW-L	日期 DATE	2010/08/12
圖號 DRAWING NO.	5082R-04TW-L	繪圖 DRAWN	Joe
客戶品號 CUSTOMER P/N		核對 CHECKED	Joel
公差 TOLERANCE	.X ±0.25 .XX ±0.15	單位 UNIT	mm
		核准 APPROVED	James

